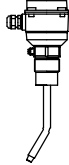



Table of contents

	Page
KN 2700	2
	

KN 2800	4
	

Options KN 2700/KN 2800	6

Process connections / Spare parts	8

Electrical installation	9

Subject to technical and price change. Prices are valid from 01.04.2017 until 31.03.2018 unless otherwise agreed.

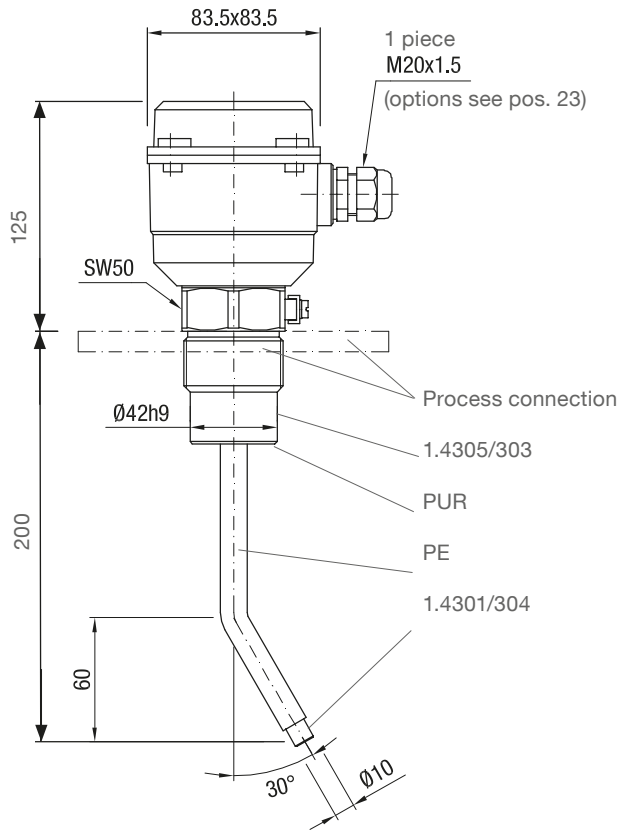
All dimensions in mm (inches). By publishing this selection list all other lists become invalid.

All prices are EXW Betzigau, excl. packaging costs and VAT. Different variations to those specified are possible. Please contact our technical consultants.

We assume no liability for typing errors.

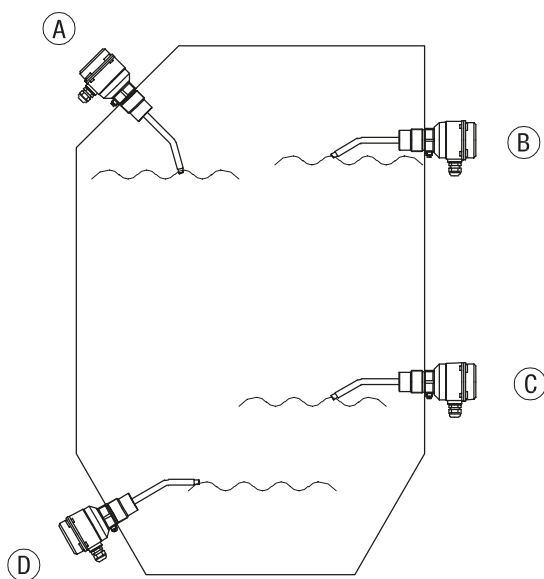
KN 2700 Dimensions / Application

Dimensions



- Conductive measurement system
- Compact unit
- 1 point level limit detection in conductive liquids and muds
- Full, demand, empty detector
- Wide range of applications
- No maintenance
- Enclosure IP66
- Die cast aluminium housing
- 2011/65/EU RoHS conform

Application



- A Full detector vertical and oblique from the top
- B Full detector horizontal
- C Empty detector horizontal
- D Empty detector oblique from the bottom

KN 2700 Selection

Selection

Basic type KN 2700

- pos. 2 **Power supply**
 - A 220..240V AC 50-60 Hz
 - B 110..120V AC 50-60 Hz
 - C 42V AC 50-60 Hz
 - D 24V AC 50-60 Hz
 - E 20-30V DC

- pos. 3 **Process connection** (flange dimensions see page 8)
 - A thread G1½", DIN 228
 - F thread NPT1½", conical ANSI B1.20.1
 - L flange DN100 PN6, EN 1092-1 (1.4541/321)
 - M flange DN100 PN16, EN 1092-1 (1.4541/321)

KN 2700	A			3	A	1	3
Position	1	2	3	4	5	6	7

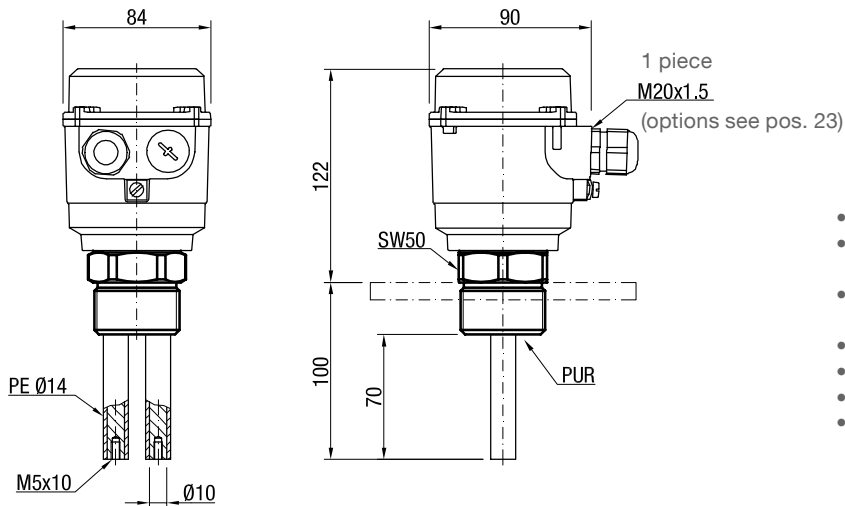
← **Order code**

All positions are available in special design (use Code "Z").

KN 2800 Dimensions

2 Electrodes

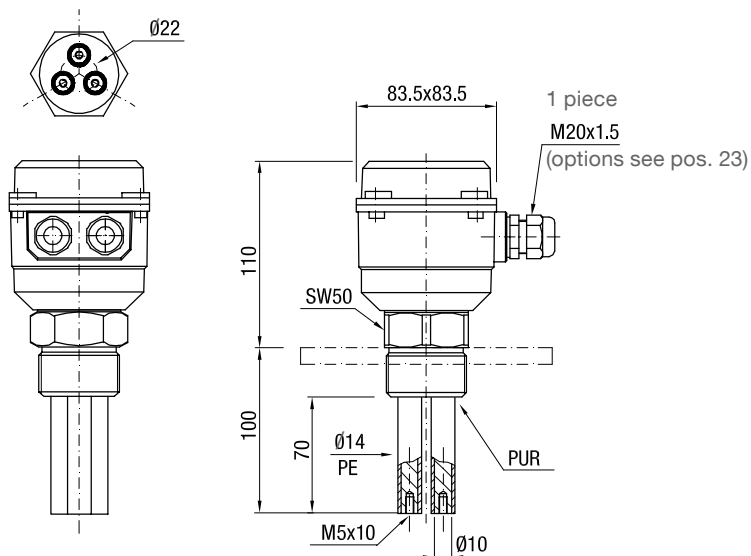
For applications with conductive vessel wall
 (pos.7, code 1)



- Compact unit
- 2 point level limit detection in conductive liquids and muds
- Full, demand, empty detector
- Wide range of applications
- No maintenance
- Enclosure IP66
- Die cast aluminium housing

3 Electrodes

For applications with non conductive vessel wall
 (pos. 7, code 2)



KN 2800 Selection

Selection

Basic type KN 2800

- Pos. 2 **Power supply**
 - A 220..240V AC 50-60 Hz
 - B 110..120V AC 50-60 Hz
 - C 42V AC 50-60 Hz
 - D 24V AC 50-60 Hz
 - E 20-30V DC

- Pos. 3 **Process connection** (flange dimensions see page 8)
 - A thread G1½", DIN 228
 - F thread NPT1½", conical ANSI B1.20.1
 - L flange DN100 PN6, EN 1092-1 (1.4541/321)
 - M flange DN100 PN16, EN 1092-1 (1.4541/321)

- Pos. 7 **Number of bars**
 - 1 2 bars (for conductive vessel walls)
 - 2 3 bars (for non conductive vessel walls)

KN 2800	C			3	A	A	
Position	1	2	3	4	5	6	7

← **Order code**

All positions are available in special design (use code "Z").

Options

Options

pos. 11x **Guarantee extension to 5 years** •

pos. 21 **Weather protection cover** •

Mounting set for flange mounting

process connection flange	for counter flange with	Consist of				
		screw*	nut*	washer*	sealing (max. 125°C)	
pos. 22c L	hole ø18	4 pieces M16x60	4 pieces M16	4 pieces	1 piece	•
pos. 22d L	thread M16	4 pieces M16x60		4 pieces	1 piece	•
pos. 22e M	hole ø18	8 pieces M16x60	8 pieces M16	8 pieces	1 piece	•
pos. 22f M	thread M16	8 pieces M16x60		8 pieces	1 piece	•

* material stainless steel A2

pos. 23 **Cable entry**

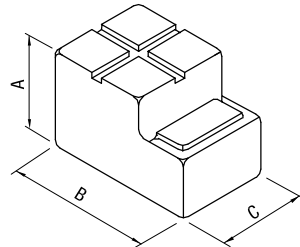
X 2x M20x1,5 screwed cable gland •

A 2x conduit connection NPT 1/2" tapered ANSI B1.20.1 •

pos. 24 **Hexagon nut for process connection thread G 1 1/2 inch**
 stainless steel •

Options

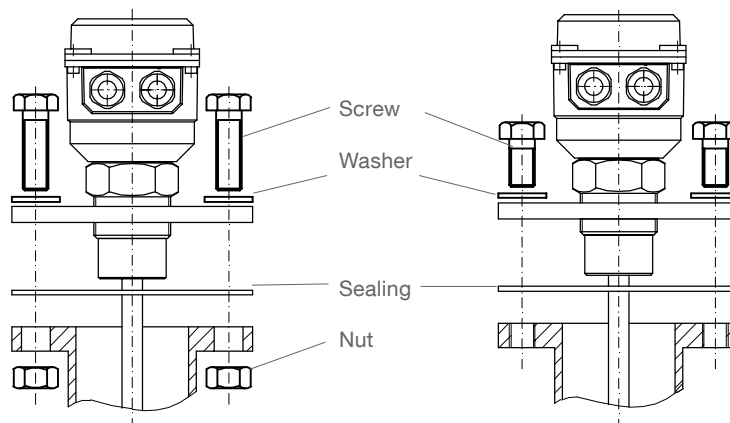
pos. 21
Weather protection cover



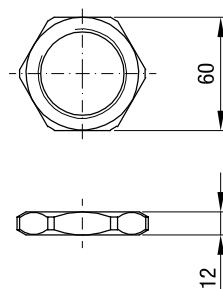
	KN 2700 / KN 2800
A	100mm (3.94")
B	165mm (6.5")
C	88mm (3.46")

pos. 22
Mounting set for flange with hole

pos. 22
Mounting set for flange with thread



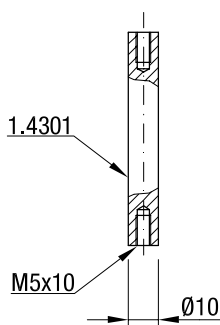
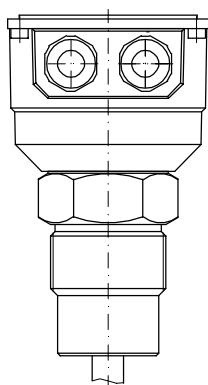
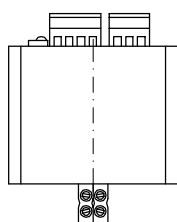
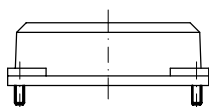
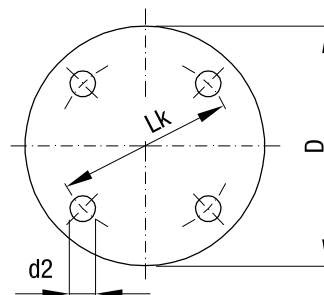
pos. 24
Hexagon nut G 1½ inch



Dimensions flanges / Spare parts

Process connections:

Code	Type	Number of holes	d2	Lk	D	T (Thickness)
L	Flange DN100 PN6	4	18	170	210	16
M	Flange DN100 PN16	8	18	180	220	20



Spare parts

KN 2700

Electronic module

pl101040	220..240V	50-60Hz	•
pl101030	110..120V	50-60Hz	•
pl101020	42V	50-60Hz	•
pl101000	24V	50-60Hz	•
pl101050	20..30V DC	•

KN 2800

Electronic module

pl102040	220..240V	50-60Hz	•
pl102030	110..120V	50-60Hz	•
pl102020	42V	50-60Hz	•
pl102000	24V	50-60Hz	•
pl102050	20..30V DC	•

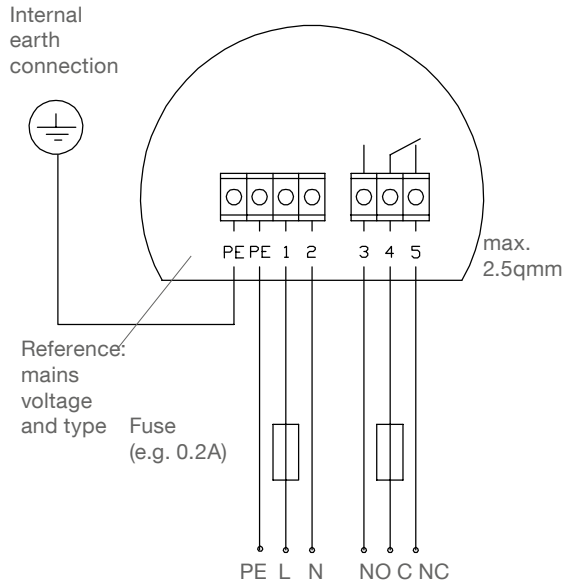
Electrode (incl. 2 grub screws)

bu400700	0,5m long	•
bu400701	0,75m long	•
bu400702	1,0m long	•
em400131	Shrinking hoseprice / meter	•

(for isolation of electrodes, material PE)

Electrical connection

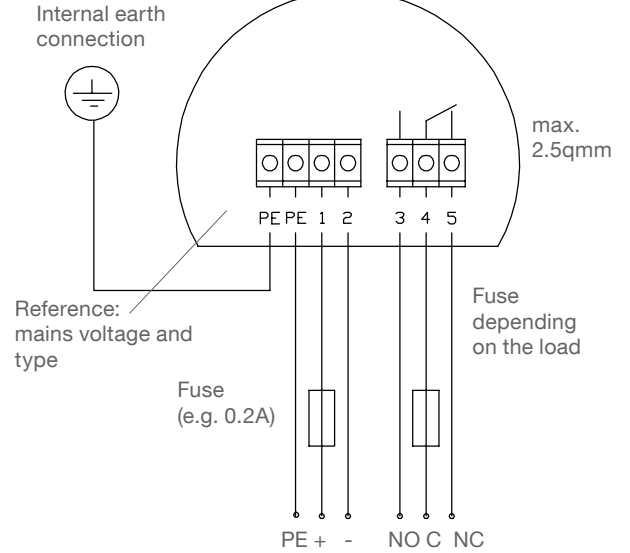
AC design



Mains voltage 220V..240V
 110V..120V
 42V
 24V
 50-60Hz

Signal floating max. 250V/2A

DC design



Mains voltage 20..30VDC

Signal floating max. 250V/2A